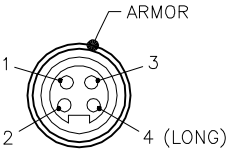
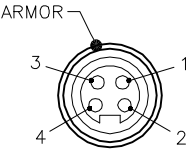
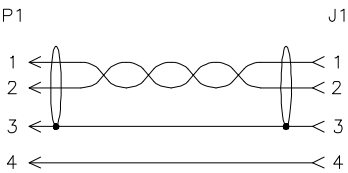
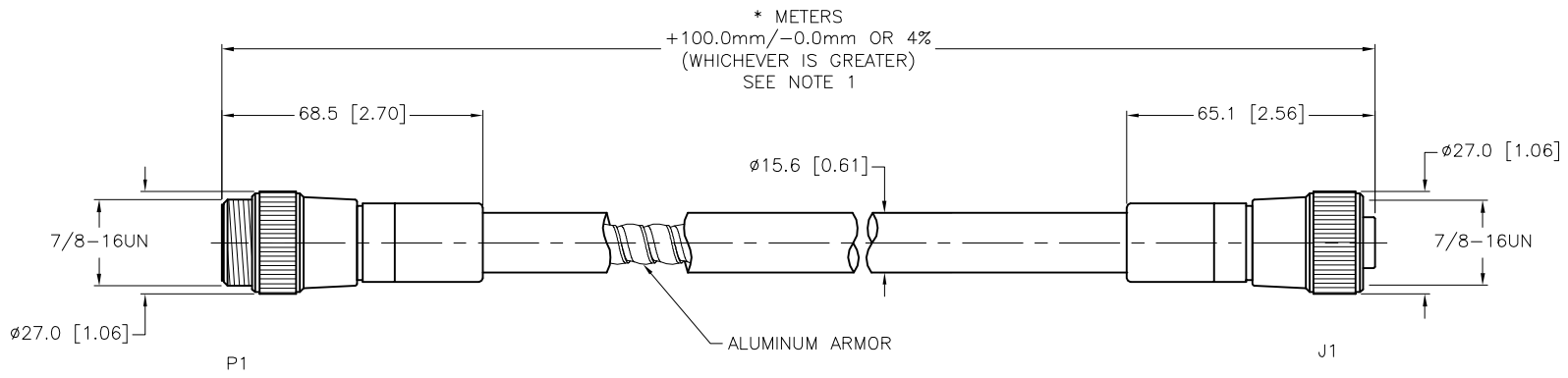
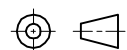


MALE END VIEW	FEMALE END VIEW	WIRING DIAGRAM	SPECIFICATIONS																																	
 <p>1 = BLUE 2 = BROWN 3 = DRAIN 4 = GREEN/YELLOW</p>	 <p>1 = BLUE 2 = BROWN 3 = DRAIN 4 = GREEN/YELLOW</p>		<table border="1"> <tr><td>CONTACT CARRIER MATERIAL</td><td>TPU</td></tr> <tr><td>MOLDED HEAD MATERIAL/COLOR</td><td>TPU/BLACK</td></tr> <tr><td>CONTACT MATERIAL/PLATING</td><td>BRASS/GOLD</td></tr> <tr><td>COUPLING NUT MATERIAL/FINISH</td><td>STAINLESS STEEL/PASSIVATED</td></tr> <tr><td>RATED CURRENT [A]</td><td>9.0 A</td></tr> <tr><td>RATED VOLTAGE [V]</td><td>300 V</td></tr> <tr><td>OUTER JACKET MATERIAL/COLOR</td><td>PVC/PLUM</td></tr> <tr><td>INNER JACKET MATERIAL/COLOR</td><td>PVC/BLACK</td></tr> <tr><td>CONDUCTOR INSULATION MATERIAL</td><td>XLPE (SHLD PAIRS), PVC/NYLON (SINGLE LEAD)</td></tr> <tr><td>NUMBER OF CONDUCTORS [AWG]</td><td>3x18 AWG</td></tr> <tr><td>DRAIN/SHIELD</td><td>20 AWG/ALUMINUM-POLYESTER FOIL</td></tr> <tr><td>ARMOR SHEATH/MATERIAL</td><td>INTERLOCKING/ALUMINUM</td></tr> <tr><td>TEMPERATURE RATING</td><td>-40°C to +105°C (-40°F to +221°F)</td></tr> <tr><td>PROTECTION CLASS</td><td>NEMA 1,3,4,4X,6P,12 & IECIP67,IP68,IP69,IP69K</td></tr> <tr><td>CONDUCTOR ARRANGEMENT</td><td>1 SHIELDED TWISTED PAIR, 1 GROUND, 1 DRAIN</td></tr> <tr><td>CABLE RATINGS</td><td>UL: ITC-ER/PLTC-ER, Direct Burial, 105C CSA: ACIC, 90C 300V</td></tr> </table>		CONTACT CARRIER MATERIAL	TPU	MOLDED HEAD MATERIAL/COLOR	TPU/BLACK	CONTACT MATERIAL/PLATING	BRASS/GOLD	COUPLING NUT MATERIAL/FINISH	STAINLESS STEEL/PASSIVATED	RATED CURRENT [A]	9.0 A	RATED VOLTAGE [V]	300 V	OUTER JACKET MATERIAL/COLOR	PVC/PLUM	INNER JACKET MATERIAL/COLOR	PVC/BLACK	CONDUCTOR INSULATION MATERIAL	XLPE (SHLD PAIRS), PVC/NYLON (SINGLE LEAD)	NUMBER OF CONDUCTORS [AWG]	3x18 AWG	DRAIN/SHIELD	20 AWG/ALUMINUM-POLYESTER FOIL	ARMOR SHEATH/MATERIAL	INTERLOCKING/ALUMINUM	TEMPERATURE RATING	-40°C to +105°C (-40°F to +221°F)	PROTECTION CLASS	NEMA 1,3,4,4X,6P,12 & IECIP67,IP68,IP69,IP69K	CONDUCTOR ARRANGEMENT	1 SHIELDED TWISTED PAIR, 1 GROUND, 1 DRAIN	CABLE RATINGS	UL: ITC-ER/PLTC-ER, Direct Burial, 105C CSA: ACIC, 90C 300V
CONTACT CARRIER MATERIAL	TPU																																			
MOLDED HEAD MATERIAL/COLOR	TPU/BLACK																																			
CONTACT MATERIAL/PLATING	BRASS/GOLD																																			
COUPLING NUT MATERIAL/FINISH	STAINLESS STEEL/PASSIVATED																																			
RATED CURRENT [A]	9.0 A																																			
RATED VOLTAGE [V]	300 V																																			
OUTER JACKET MATERIAL/COLOR	PVC/PLUM																																			
INNER JACKET MATERIAL/COLOR	PVC/BLACK																																			
CONDUCTOR INSULATION MATERIAL	XLPE (SHLD PAIRS), PVC/NYLON (SINGLE LEAD)																																			
NUMBER OF CONDUCTORS [AWG]	3x18 AWG																																			
DRAIN/SHIELD	20 AWG/ALUMINUM-POLYESTER FOIL																																			
ARMOR SHEATH/MATERIAL	INTERLOCKING/ALUMINUM																																			
TEMPERATURE RATING	-40°C to +105°C (-40°F to +221°F)																																			
PROTECTION CLASS	NEMA 1,3,4,4X,6P,12 & IECIP67,IP68,IP69,IP69K																																			
CONDUCTOR ARRANGEMENT	1 SHIELDED TWISTED PAIR, 1 GROUND, 1 DRAIN																																			
CABLE RATINGS	UL: ITC-ER/PLTC-ER, Direct Burial, 105C CSA: ACIC, 90C 300V																																			



SOURCE DRAWING - FOR REFERENCE ONLY

- NOTES:
- "*" INDICATES CABLE LENGTH IN METERS. CONTACT TURCK TO ORDER SPECIFIC LENGTHS.
 - CABLE ARMOR IS CONNECTED TO THE COUPLING NUT.

RELATED DOCUMENTS 1. 2. 3. 4.	3RD ANGLE PROJECTION 	THIS DRAWING IS CONFIDENTIAL AND THE PROPERTY OF TURCK INC. USE OF THIS DOCUMENT WITHOUT WRITTEN PERMISSION IS PROHIBITED.	<div style="text-align: right;"> 3000 CAMPUS DRIVE MINNEAPOLIS, MN 55441 1-800-544-7769 (763) 553-7300 (763) 553-0708 fax www.turck.us </div> <div style="text-align: center; font-size: 2em; font-weight: bold; margin-top: 10px;">TURCK</div>	
MATERIAL SEE SPECIFICATIONS	ALL DIMENSIONS DISPLAYED ON THIS DRAWING ARE FOR REFERENCE ONLY	DRFT JBJ DATE 01/29/03 APVD GC SCALE 1=2.0	DESCRIPTION P-RSV RKV 40A-947-*M	
FINISH SEE SPECIFICATIONS	CONTACT TURCK FOR MORE INFORMATION	UNIT OF MEASUREMENT MILLIMETER [INCH]		IDENTIFICATION NO. REV N
N UPDATED DRAWING AS 10/24/23 79428	REV DESCRIPTION BY DATE ECO NO.	DO NOT SCALE THIS DRAWING		FILE: 777001523 SHEET 1 OF 1